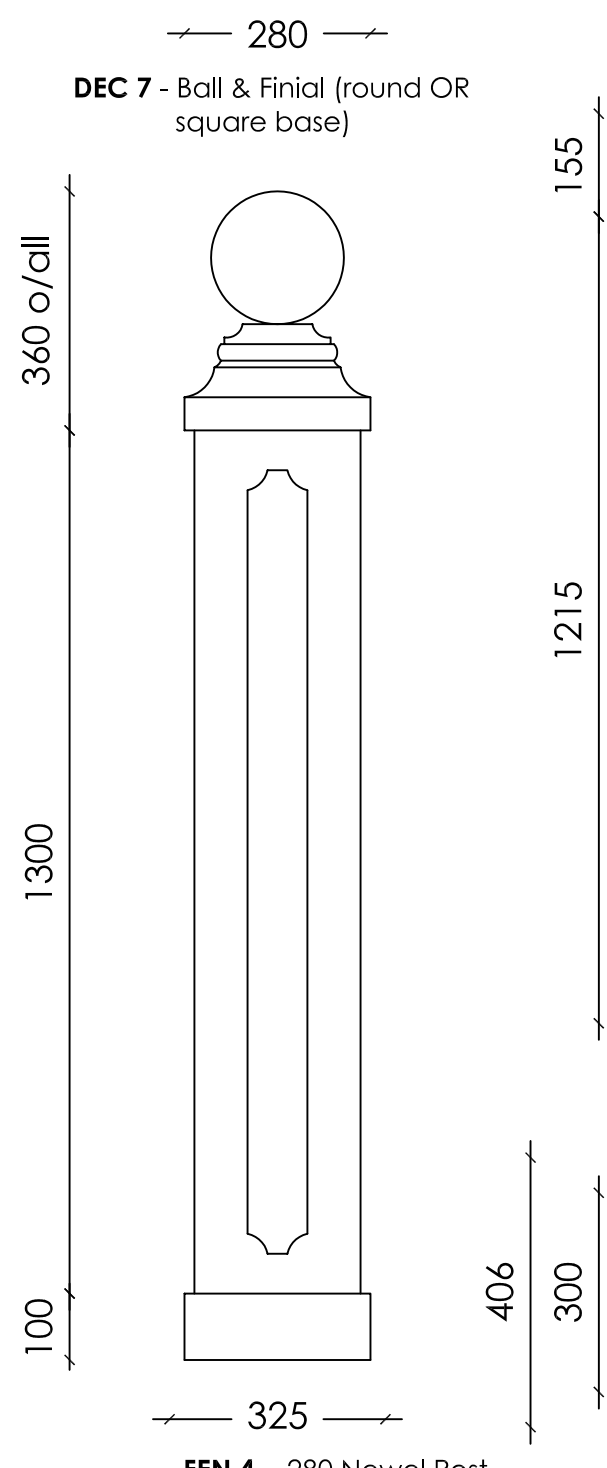
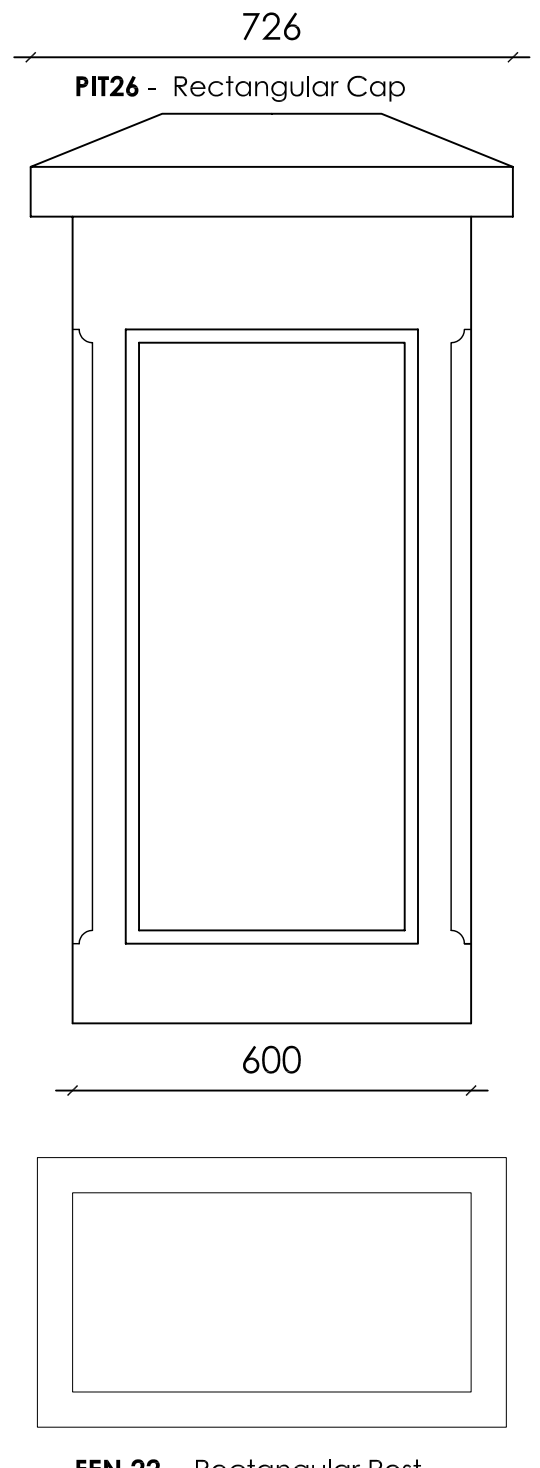


DEC6 - Pyramid with ball & finial

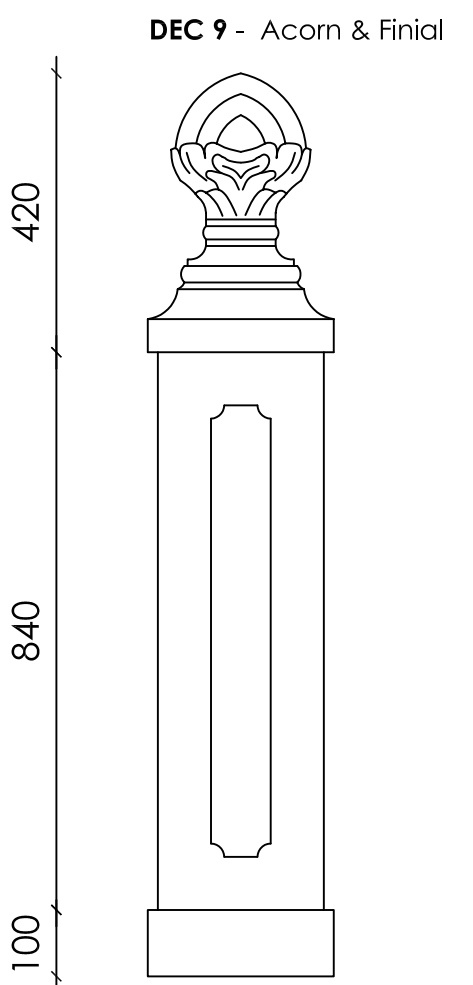


DEC7 - Ball & Finial (round OR square base)

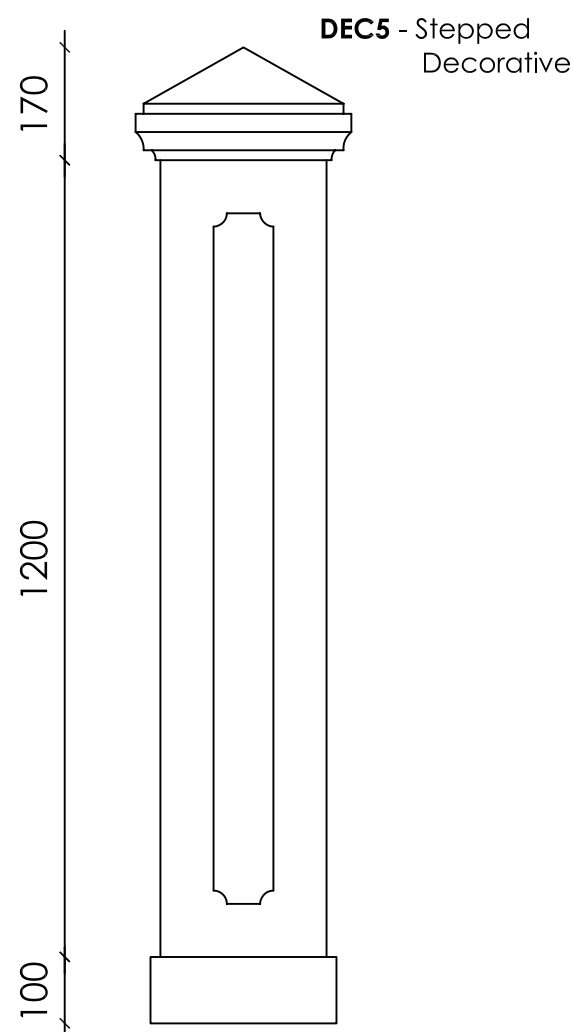


PIT26 - Rectangular Cap

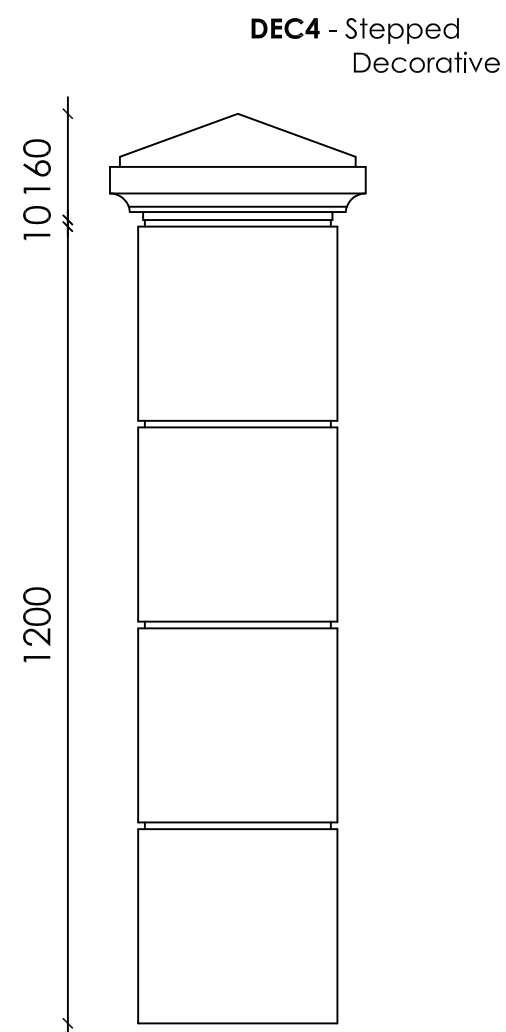
FEN3 - 400 Newel Post



DEC9 - Acorn & Finial



DEC5 - Stepped Decorative



DEC4 - Stepped Decorative

FEN6 - 280 Newel Post

FEN5 - 280 Newel Post

FEN21 - Block Fence Post

STONEDGE 99 Bruce Hwy Edmonton
 P: 4045 5577 E: stonedge@optusnet.com.au